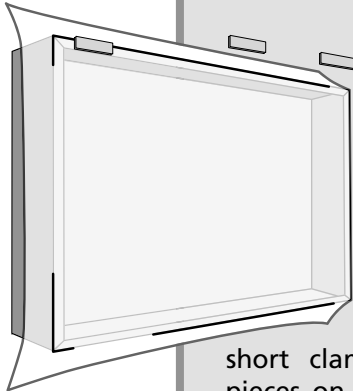


Installation and tension of the fabric

Instructions

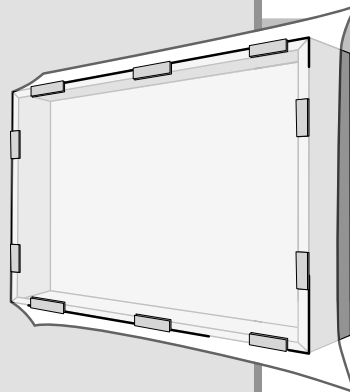
1 CUSTOMIZING OF THE FABRIC

The fabric needs to be approximately 10cm wider than the frame on each side.

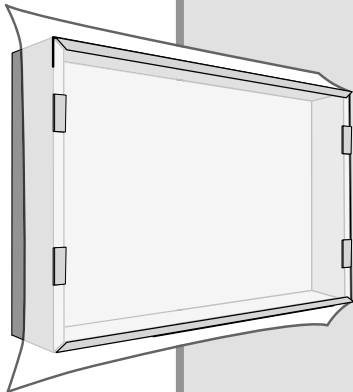


ALIGNING THE FABRIC

Place the short clamping bar pieces on the upper side for positioning and pretensioning.

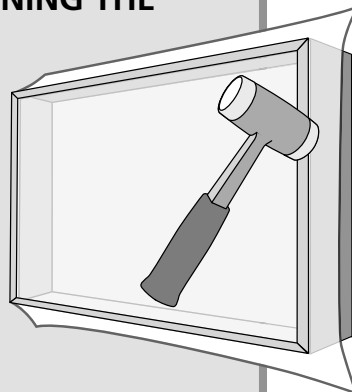


Repeat this step at the lower side and at the sides, gently pulling the fabric.



TENSIONING THE FABRIC

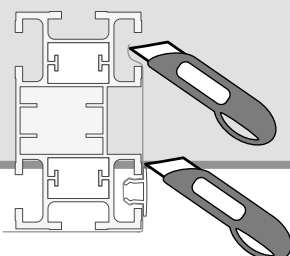
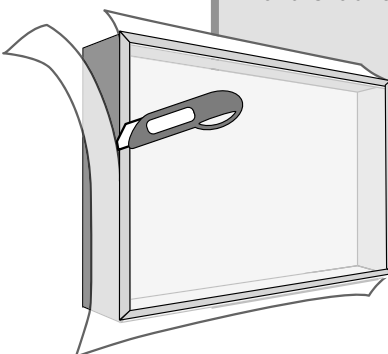
Fasten and stretch the fabric with the clamping bar. Kindly note the position of the profile sections.



4 Remove one profile-section after the other.

CUTTING OFF THE FABRIC

Once the fabric is stretched, the protrusion of the fabric needs to be cut off- (depending on the kind of finishing chosen).



The fastening and tensioning of the fabric form the conclusion of the CRYSTAL system. Please exactly follow the installation instructions and only use the tools recommended by ISERMATIC.

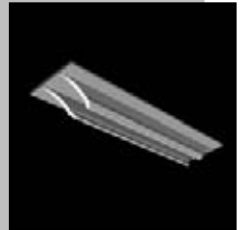


Attention : To stretch the fabric, always use a non rebound plastic-head hammer.

2

CLAMPING PROFILE SECTIONS

The profile-sections are remnant pieces with a length of approximately 10 to 30cm.



CHOICE OF CLAMPING BAR

JN



JR



For frames used inside, please choose the standard clamping bar JN. For frames used outside, please choose the reinforced clamping bar JR. The standard colour is white (different colours available).

FASTENING OF THE CLAMPING BAR

Clamp the fabric by first of all shoving the bar from the exterior edge to the inside.



Hit the clamping bar with the head-plastic hammer into the profile channel. Doing this you stretch the fabric.

